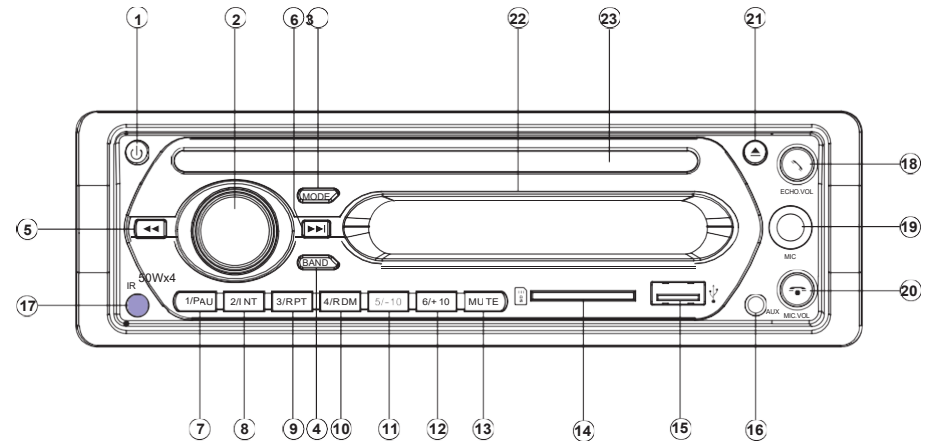


- 4. PAUSE**
Press it to pause a play.
- 5. SETUP**
Display the SETUP menu.
- 6. ▲/▼/▶/◀**
Cursor buttons in MENU mode.
- 7. VOL+/VOL-**
Press it to adjust volume level.
- 8. SEL**
Press it to change audio mode through Volume, Bass, Treble, Balance and Fader modes.
- 9. PROG**
Program tracks/chapters or titles to play
- 10. PBC**
Select PBC function
Changing of the SUBTITLE language on multi-subtitle language DVD disc.
- 11. SUBTITLE**
- 12. A-B**
Select specific segment for repeat.
- 13. OSD**
Display statistical disc information during playback.
- 14. AMS**
Auto store and preset scan function in radio stations.
- 15. MUTE**
Press it to mute down the sound.

- 16. MODE**
Press it to change between radio and disc model.
- 17. ⏮**
Press ⏮ to skip to the next track/chapter& press ⏮ skip back one track/chapter.
- 18. ZOOM**
Zoom the picture in different modes (1x, 2x, 3x, off).
- 19. ENTER**
Input/switch
- 20. AUDIO**
In disc stations, press it to change the AUDIO soundtrack on multi-audio soundtrack DVD disc or change of the sound mode of the VCD/CD disc. **21. 0-9**
Numeric buttons.
- 22. +10**
Press it to select 10th digits.
- 23. TITLE**
Multi-title DVD only: press it to show the title of disk
- 24. ANGLE**
Changing of the view angle on multi-angle DVD disc.
- 25. RDM**
Press it to play in random.
- 26. SLOW**
Slow backward/forward play.



- 1. Power button (PWR)
- 2. Volume Control (VOL/SEL)
- 3. Mode button (MODE)
- 4. Band button (BAND)
- 5. Tracks selecting button(⏮)
- 6. Tuning selecting button(⏭)
- 7. Player/Pause button (1/PAUSE)
- 8. Disc intro button (INT)
- 9. Disc track repeat button (RPT)
- 10. Disc random play button(RDM)
- 11. Number button (-10)
- 12. Number button (+10)
- 13. Mute button (MUTE)
- 14. SD Port
- 15. USB Port
- 16. AUX Port
- 17. IR
- 18. ECHO.VOL/ ↘
- 19. MIC Port
- 20. MIC VOL Control/ 🎤
- 21. Eject Button
- 22. LCD display
- 23. Disc Slot

Tip: to play USB and SD, you need to press mode to switch player status, Long press band for audio / video / picture switching function; long press Vol volume key for USB / SD function switching

- 1.(1/PAUSE) Play / pause / confirm key
- 2.(2/INT)Return key 3.(3/RPT)Direction key up 4.(4/RDM)Direction key down
- 5.(5/-10) Left or back
- 6.(6/+10) Right or front
- 7.(⏮/⏭) Short press is up and down key up
- 8.(VOL)USB/SD switching
- 9.(BAND)Long press is the switch between movie and MP3

Bluetooth operation method

Bluetooth operation steps

1. With the DVD player on, use phone Bluetooth to search device name: CAR BT equipment, and then click on the pairing or connection, when pairing success, the phone will be prompted to pair or connect. The machine can set Bluetooth Play music or answering the telephone.
2. Bluetooth play music operation: short press MODE key, enter the BLUETOOTH mode, open the cellular phone music, click the play, and the double panel at this time The arrow symbol key can selections on mobile phone music for operation, panel PAU keyboard Can be suspended, playback controls.
3. Called short press the 🎧 button, you can answer the phone, hang up short press the 📞 button. Note: the above operations are good mobile phone connected to the machine can realize operation.

CONTROL PANEL LAYOUT

B. Press M2/SCAN button to scan disc.

- a. In the state of VCD/CD disc playing, press the M2/SCAN button on the front panel to play the previous 10 seconds part of each track/chapter on disc. (depending on the disc used for VCD)
- b. In the state of DVD/MP3 disc playing, the M2/SCAN button is not available.

C. Press M3/REP button to select repeat mode as follows:

DVD: REPEAT: [OFF/CHAPTER/TITLE]

VCD/CD: REPEAT: [OFF/REP1/REP ALL]

- a. Continuously repeat at the current chapter/track, when selected REP-ONE mode.
- b. Select REP-ALL mode to continuously repeat all chapter/track on the current disc.
- c. REPEAT feature does not support VCD 2.0(with PBC ON).

D. Press M4/RDM button to play disc in random.

- a. In the state of VCD/CD/MP3 disc playing, press the M4/RDM button on the front panel to play in random. (depending on the disc used for VCD) VCD/CD/MP3: RANDOM: [OFF/ON]
- b. In the state of DVD disc playing, the M4/RDM button is not available.

E. Press M5/OSD button on the front panel or OSD button on the remote controller during playback to display the contents of the current disc on the screen

Examples for DVD:


13. MUTE BUTTON

Press it to mute down sound. Press it again to release this mode and recover previous volume level.


14. SD/MMC PORT 15. USB PORT 16. AUX SOLT 17.IR SOLT

18. The microphone mixing adjustment/ 

19. Microphone jacks

20. The microphone volume/ 

21. BUTTON

Press  it to eject the disc. This button is on the rear of the front panel. Open the front panel then your can see the EJECT button.

21. The LCD window 22. Dish the mouth

CONTROL PANEL LAYOUT

1. PWR BUTTON

Press it to turn on the unit. Press it again to turn off.

2. VOL+/VOL-

For Volume Control, rotate VOL knob clockwise to increase the sound rotate if anticlockwise to decrease the sound level.

3. MODE BUTTON

Press it repeatedly to select TUNER/DVD/DVD+FM/AUX IN mode.

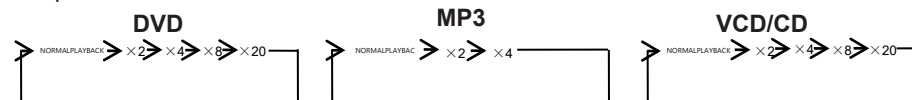
4. BAND BUTTON

In RADIO mode, press the BAND button on the front panel, or on the remote controller to select your desired radio band and word which band is selected will be displayed on LCD. Press it to change the bands as below:

5. 6. TUNE/TRACK BUTTONS /

IN CDP MODE:

A. When long pressing the TUNE/TRACK button (more than 2 seconds) during play. The speed



B. Short press the  button during playback to skip to next to track or back one track.

7-8-9-10-11-12. PRESET STATION & PL/PA/SCAN/REP/RDM/OSD

BUTTON RADIO MODE:

- A. To memorize the current frequency, press any one of the six preset buttons [M1-M6] on the front panel or [1-6] on the remote controller hold for more than 2 seconds.
- B. To recall the preset memory, press one of the preset buttons [M1-M6].

CDP MODE:

A. M1/PL/PAU button 13. MUTE BUTTON

Press it to mute down sound. Press it again to release this mode and recover previous volume level. Press it on the front panel or PLAY/PAUSE button on the remote controller during playback, the unit will stop playing temporarily. And press it again, return to normal playback.